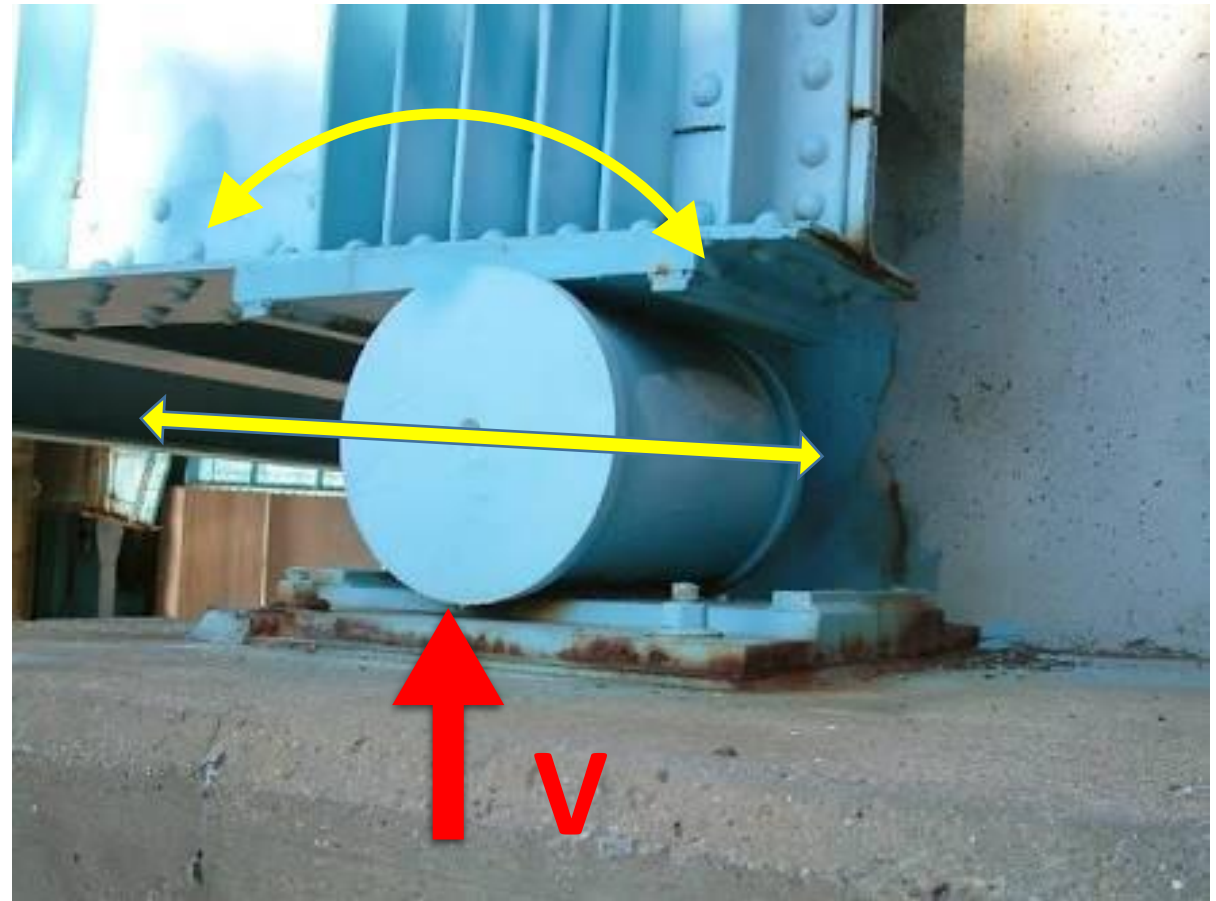


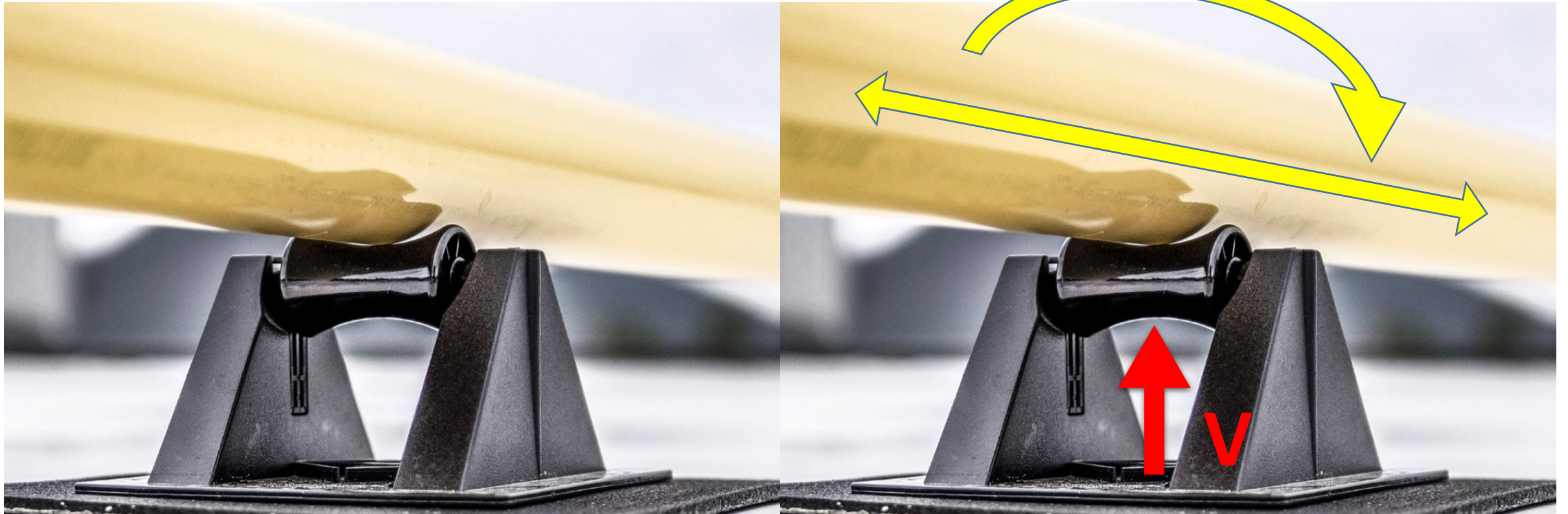
# Legături aplicate CSR

## Reazemul simplu



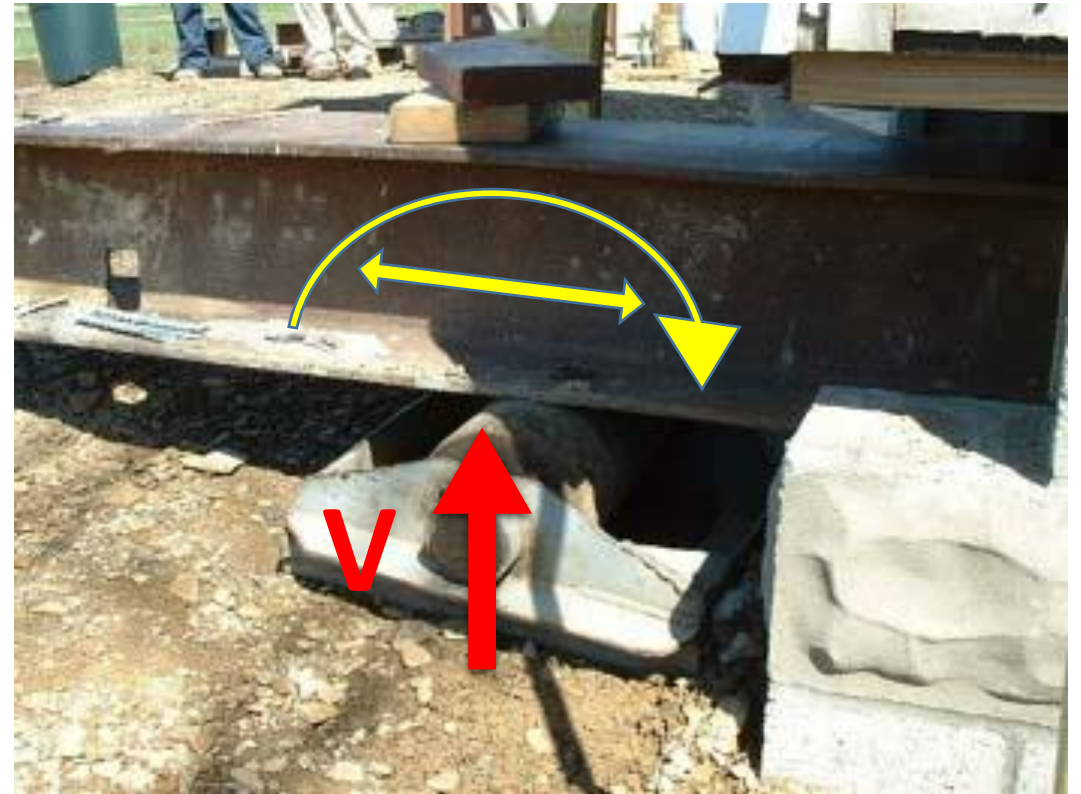
<https://www.quora.com/What-are-some-of-the-examples-of-hinge-and-roller-support>

## Reazemul simplu



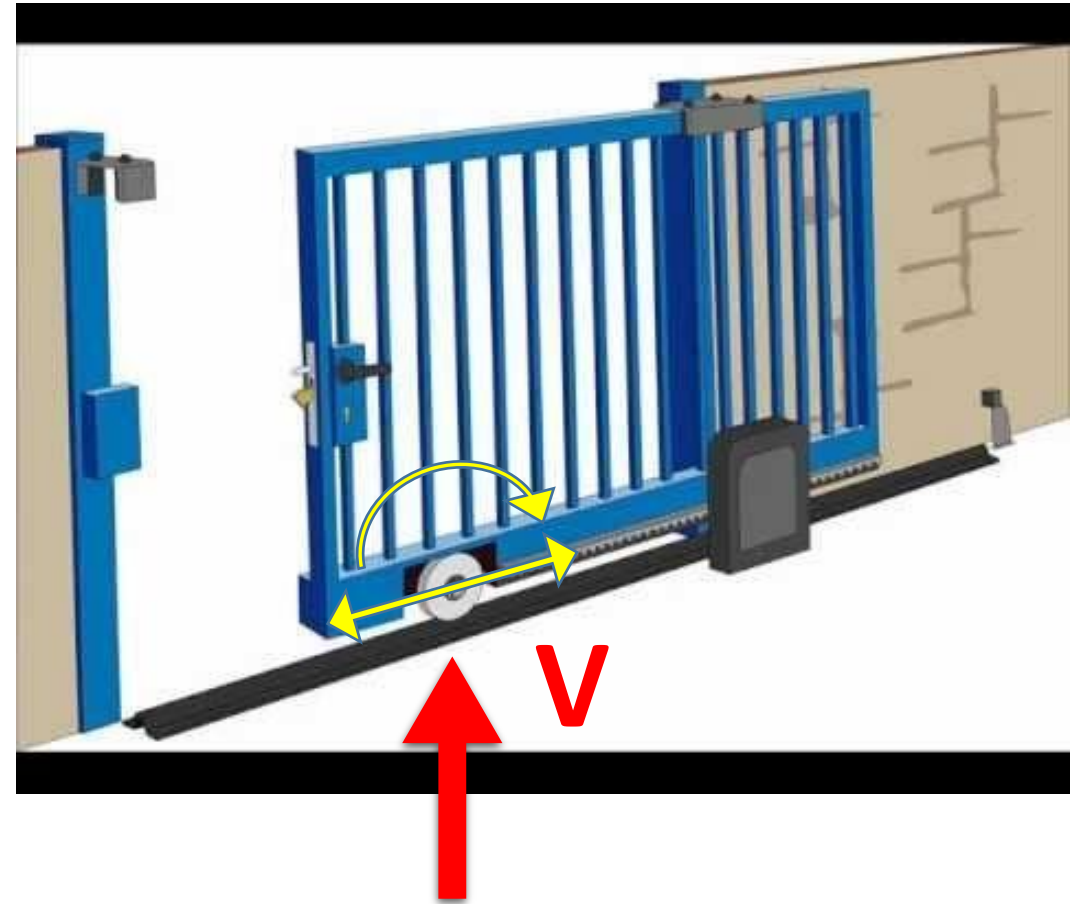
<https://www.bestmaterials.com/default.aspx>

## Reazemul simplu



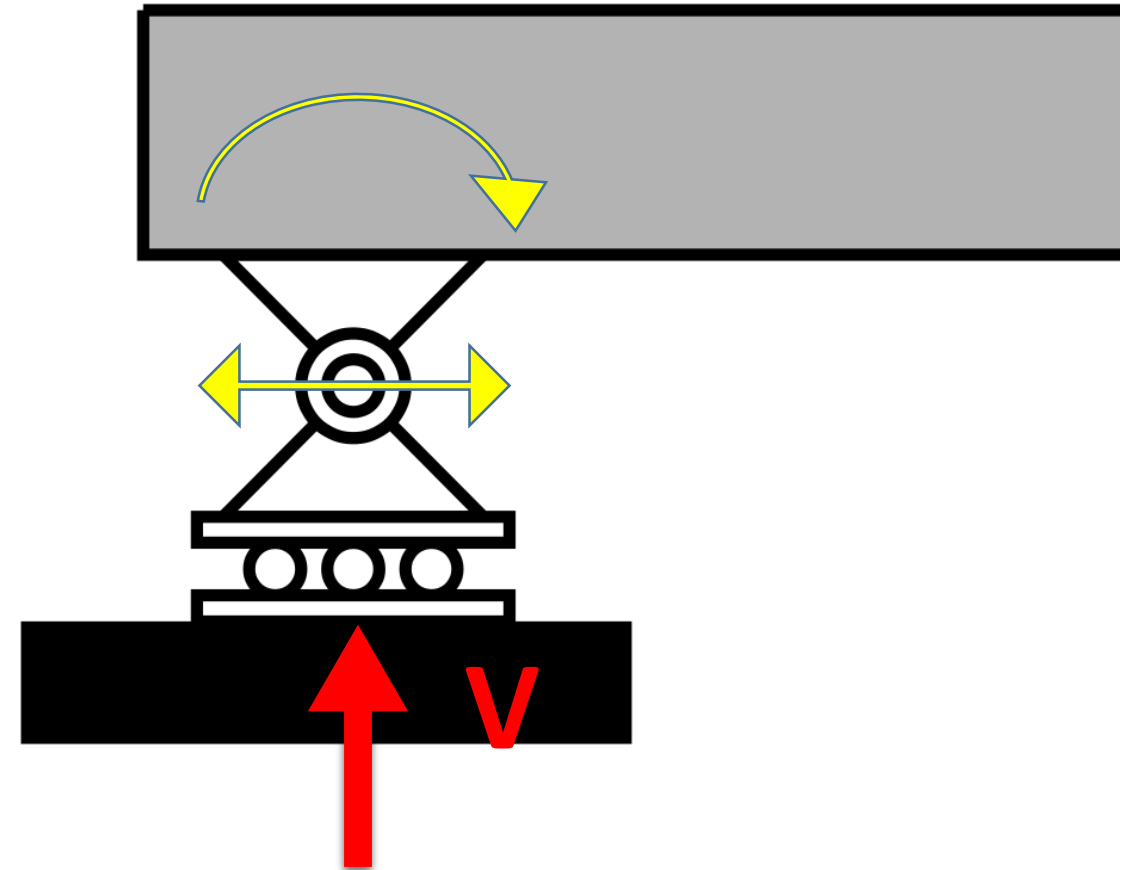
<https://www.quora.com/What-are-some-of-the-examples-of-hinge-and-roller-support>

## Reazemul simplu



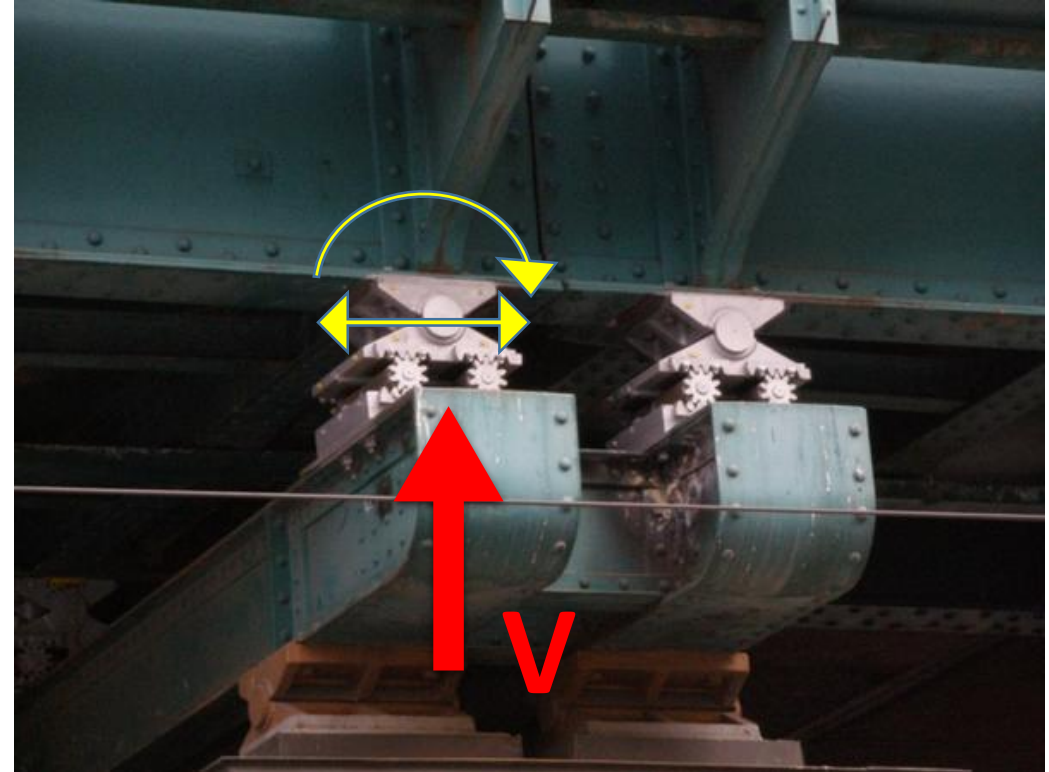
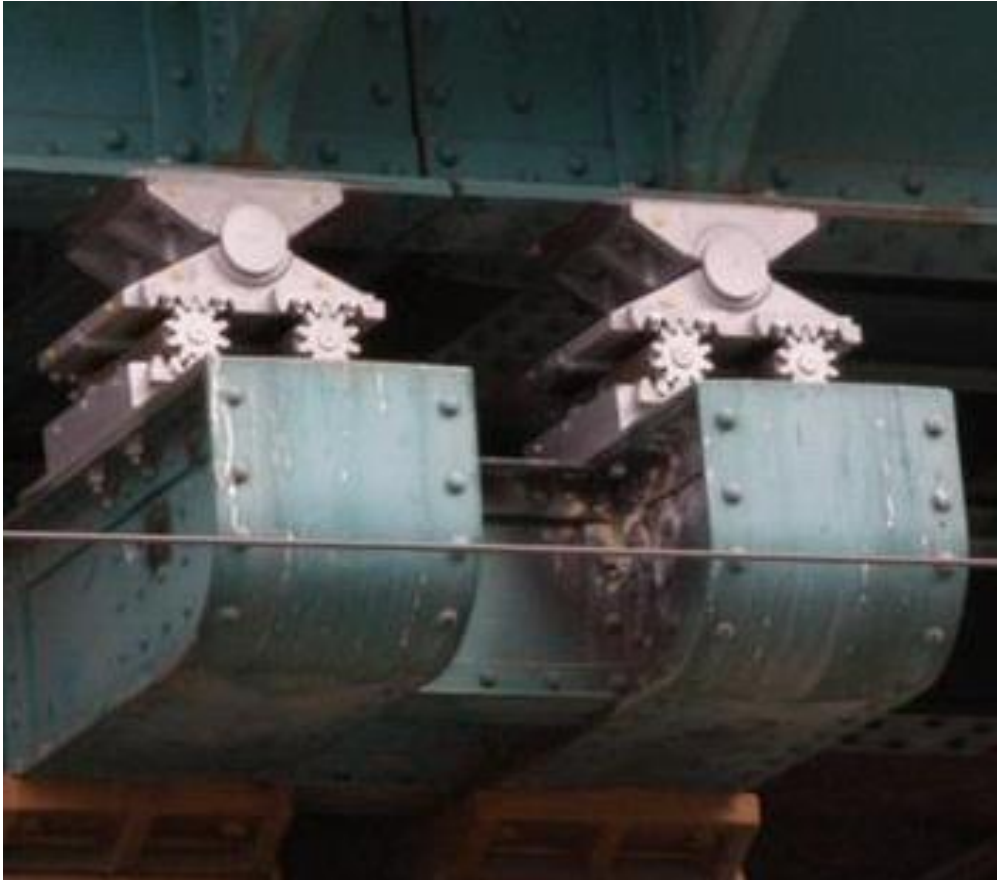
<https://www.quora.com/How-does-roller-support-and-hinged-support-look-actually-in-reality>

## Reazemul simplu



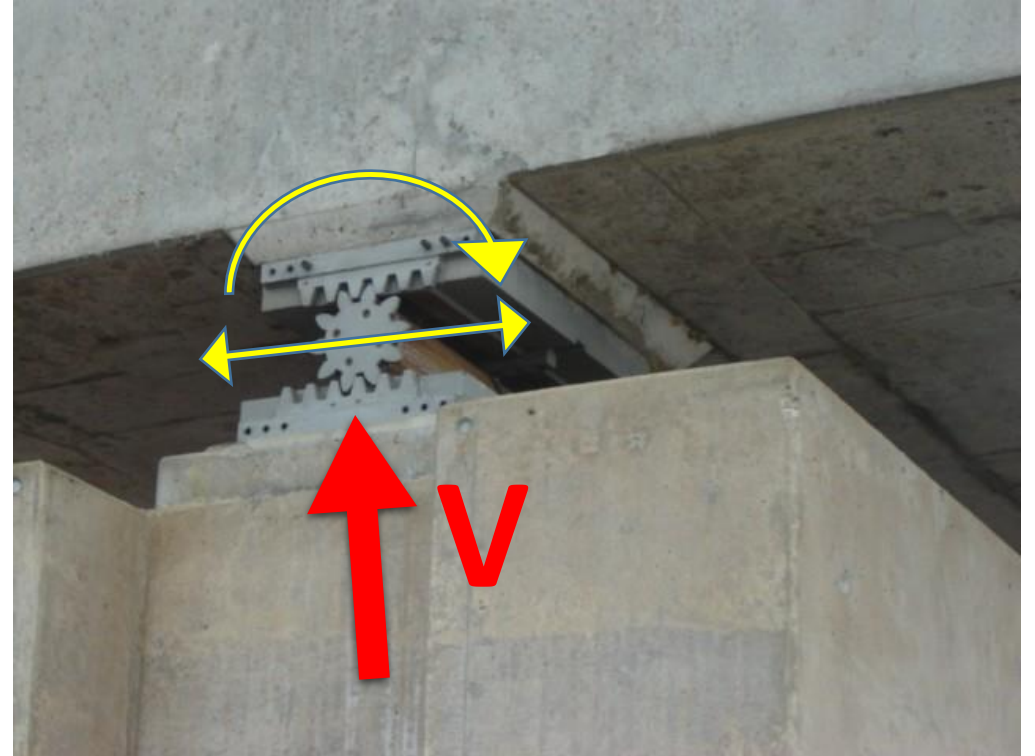
<https://www.quora.com/What-is-the-meaning-of-pin-support-and-roller-support-in-real-life-example>  
[https://en.wikipedia.org/wiki/Support\\_\(structure\)#/media/File:Movable\\_support\\_\(real\).svg](https://en.wikipedia.org/wiki/Support_(structure)#/media/File:Movable_support_(real).svg)

## Reazemul simplu



<https://structurae.de/produkte-services/denkmalchutzgerechte-sanierung-der-hochbahnviadukte-der-u-2-in-berlin>

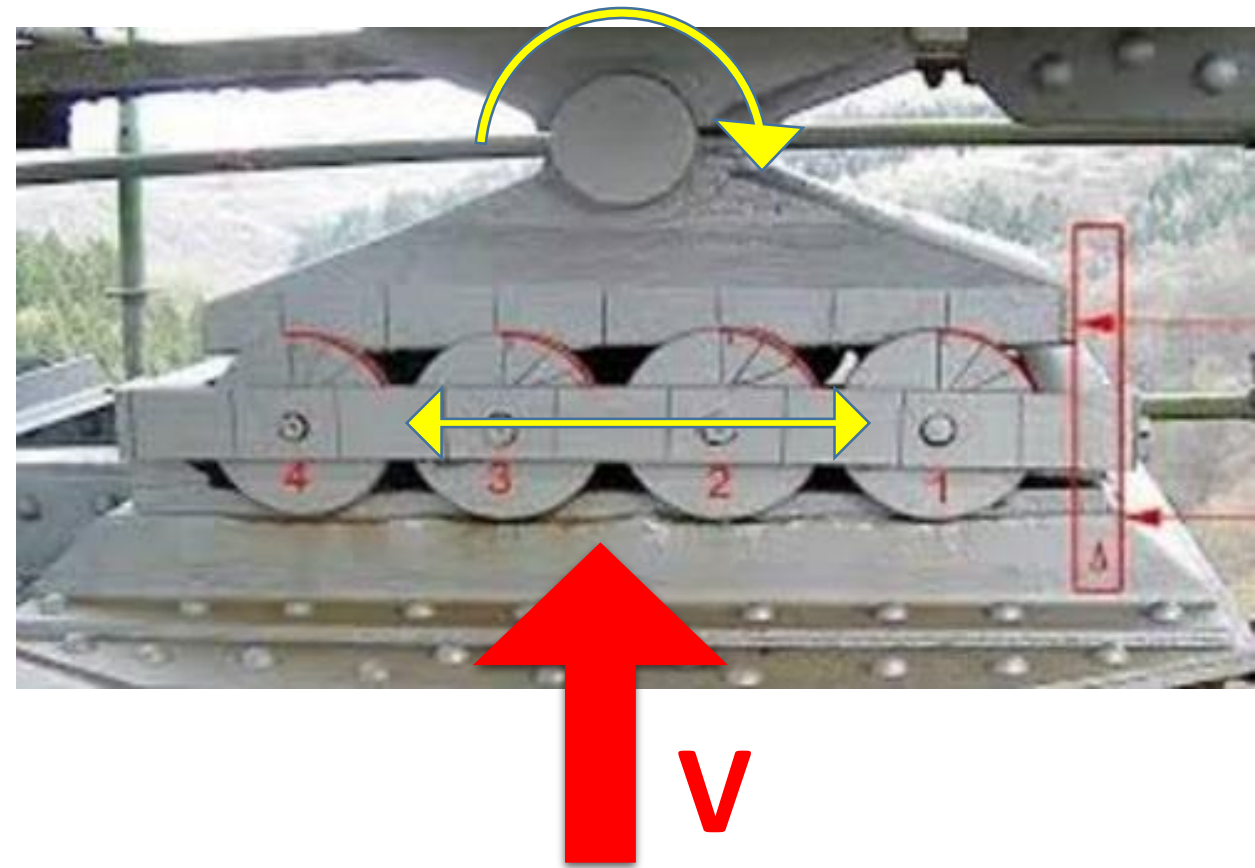
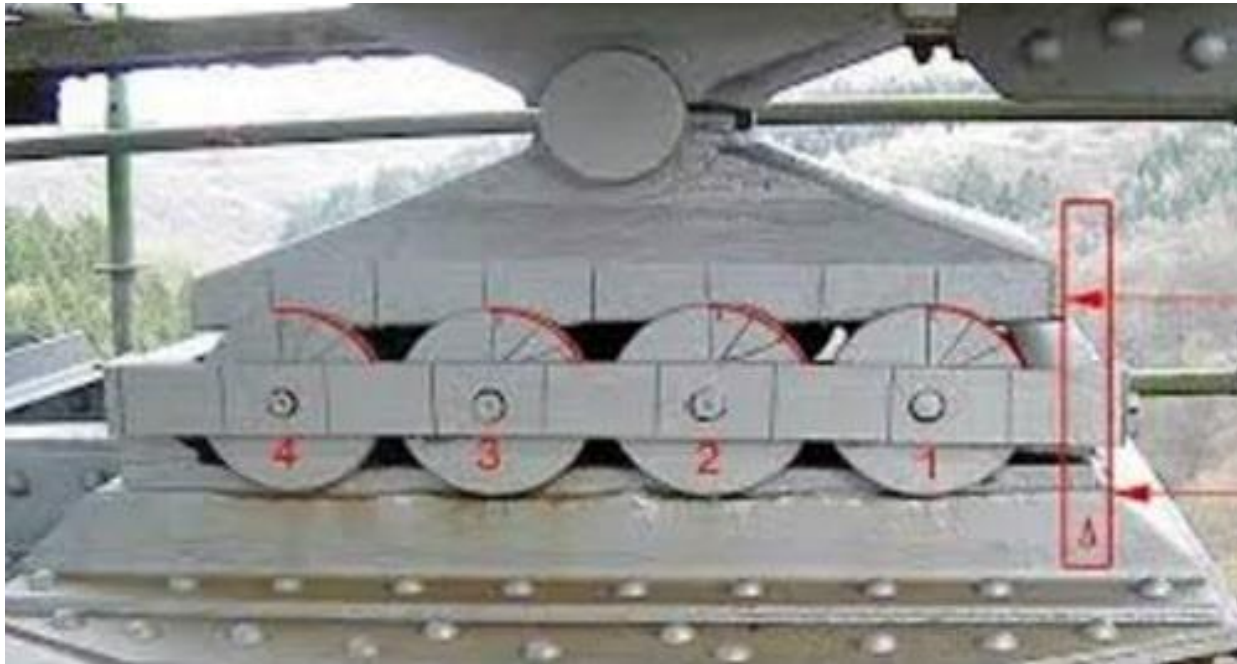
## Reazem simplu



<https://www.mageba-group.com/es/804/Imo-River-Bridge.htm?Reference=43149>

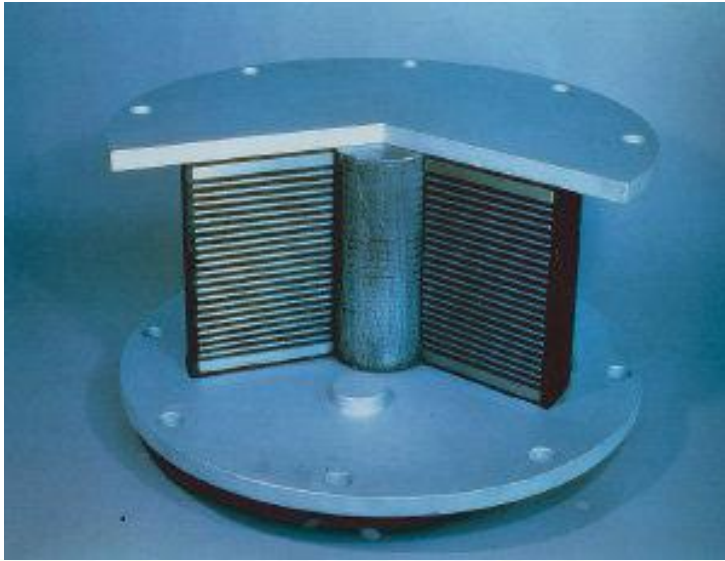


## Reazemul simplu



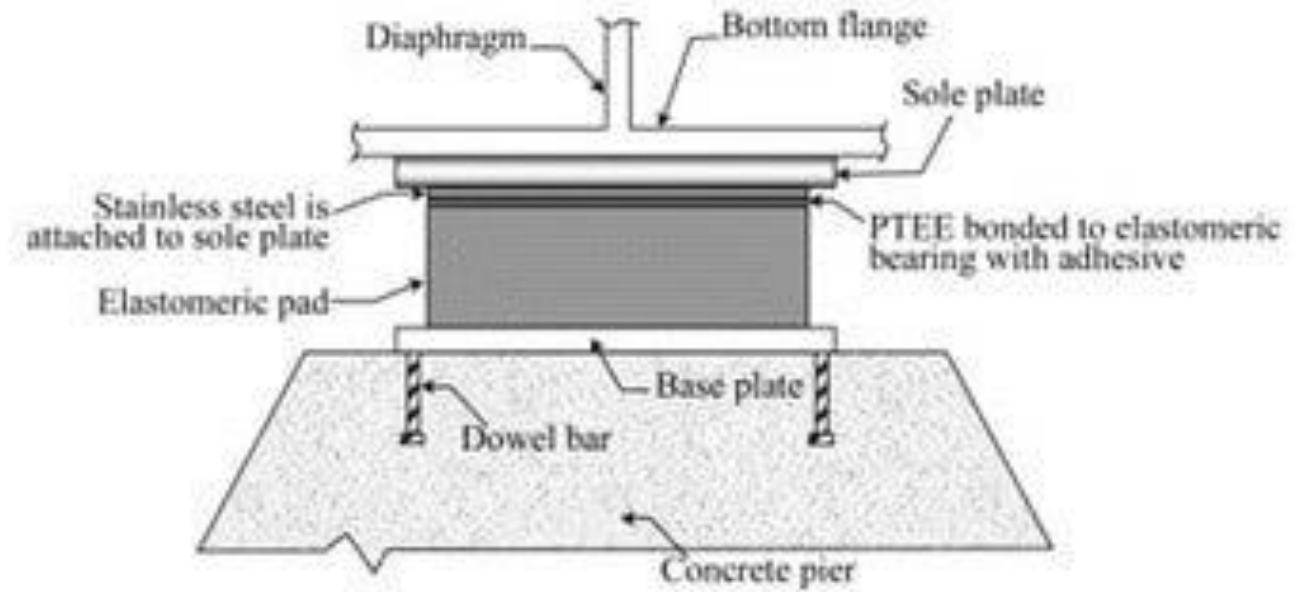
<https://theconstructor.org/structures/bridge-bearings-types-details/18062/>

## Reazemul simplu (reazeme din neopren/ amortizori)

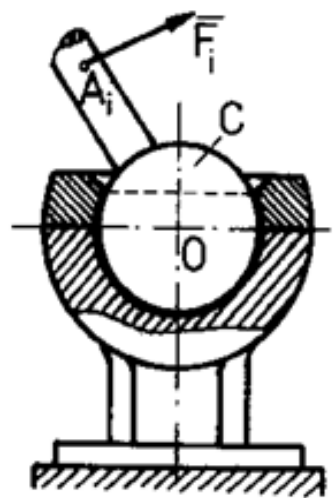


<http://www.strulab.civil.upatras.gr/resources/photo-gallery>  
<https://www.smcon.co.jp/en/thchnology/base-isolation.html>

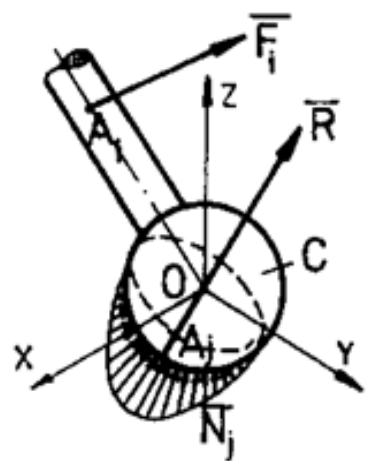
## Reazemul simplu (reazeme din neopren/ amortizori)



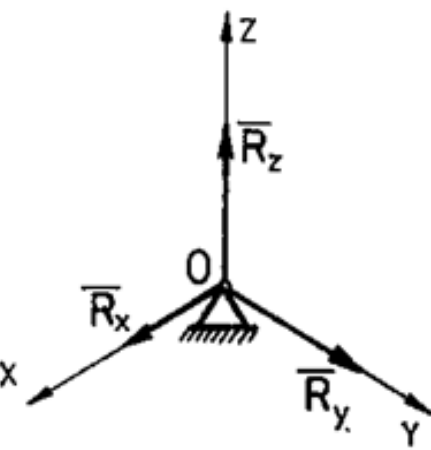
<https://theconstructor.org/structures/bridge-bearings-types-details/18062/>



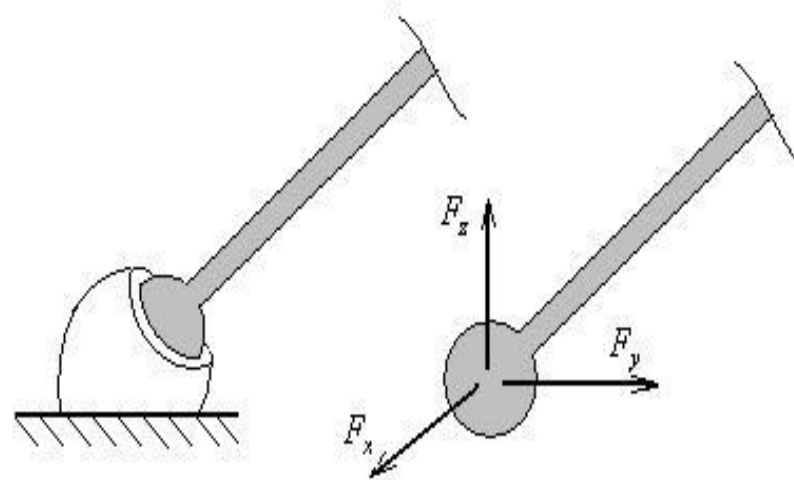
(a)



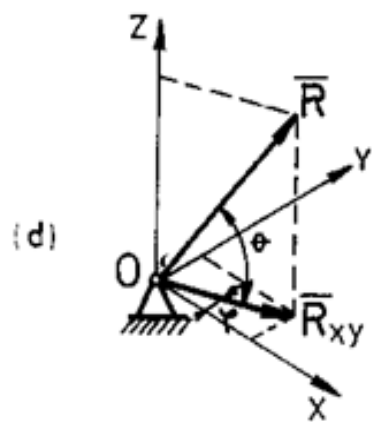
(b)



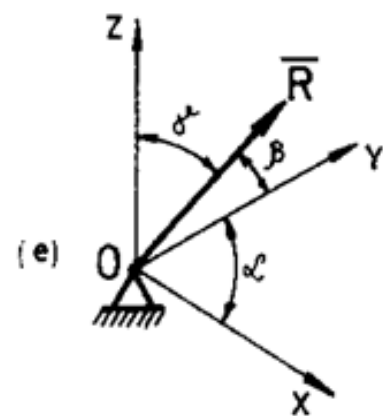
(c)



d



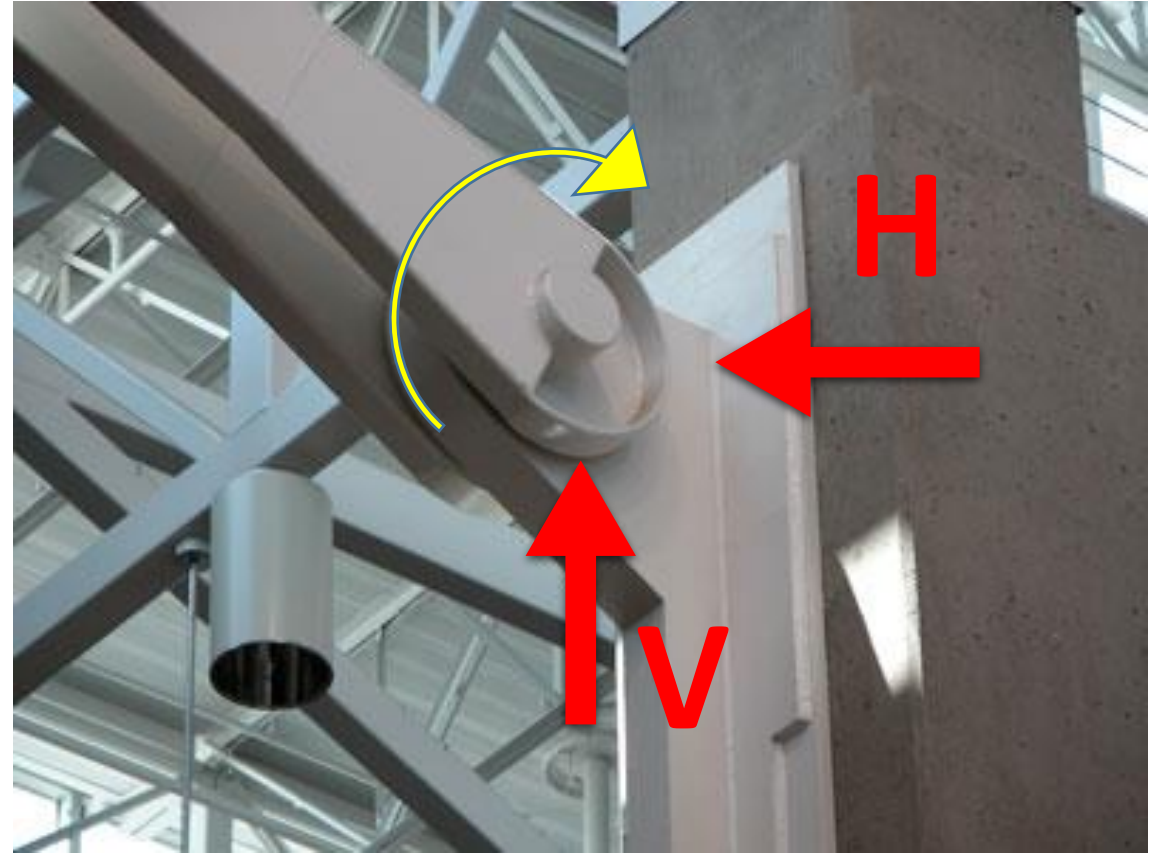
(d)



(e)

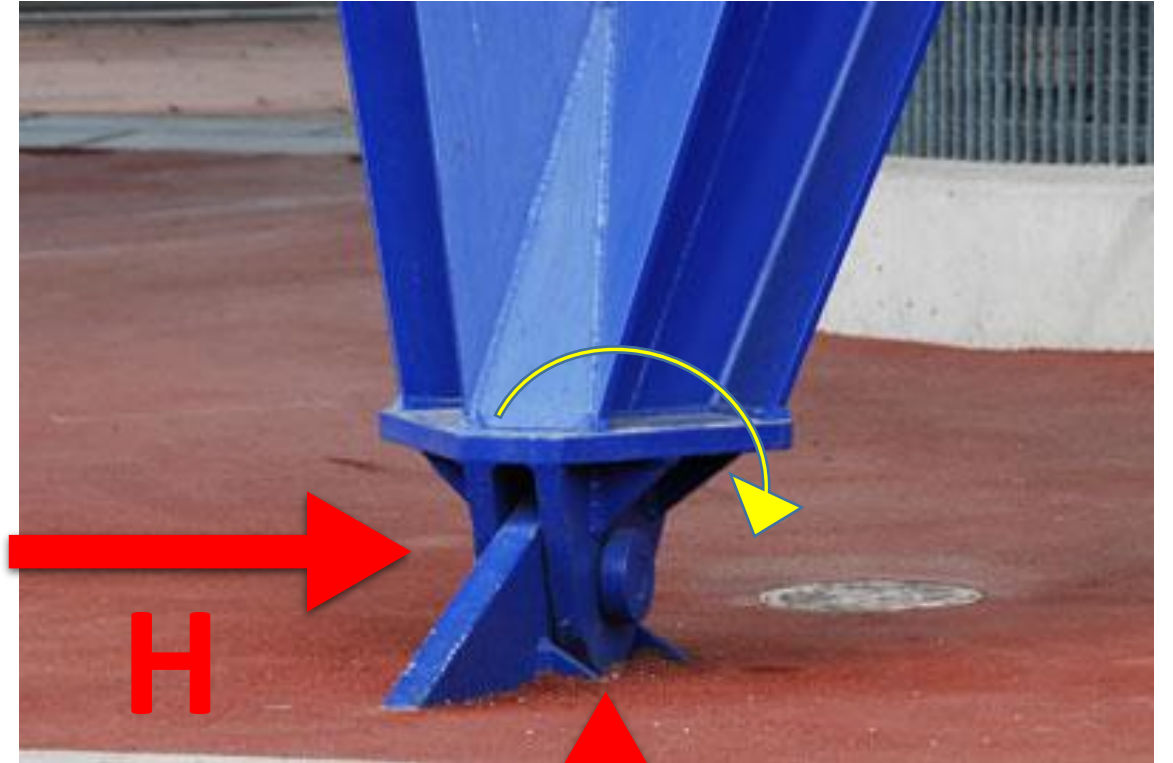


# Articulația



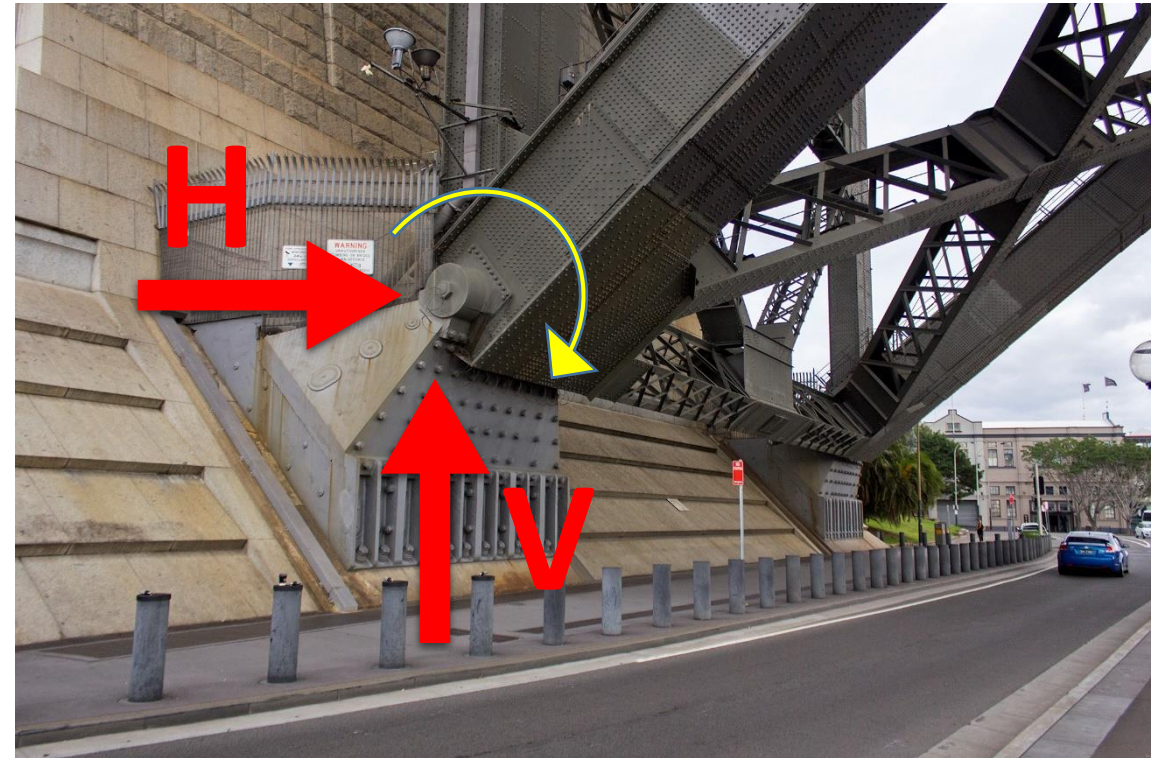
<https://www.tboake.com/SSEF1/pin.shtml>

# Articulația



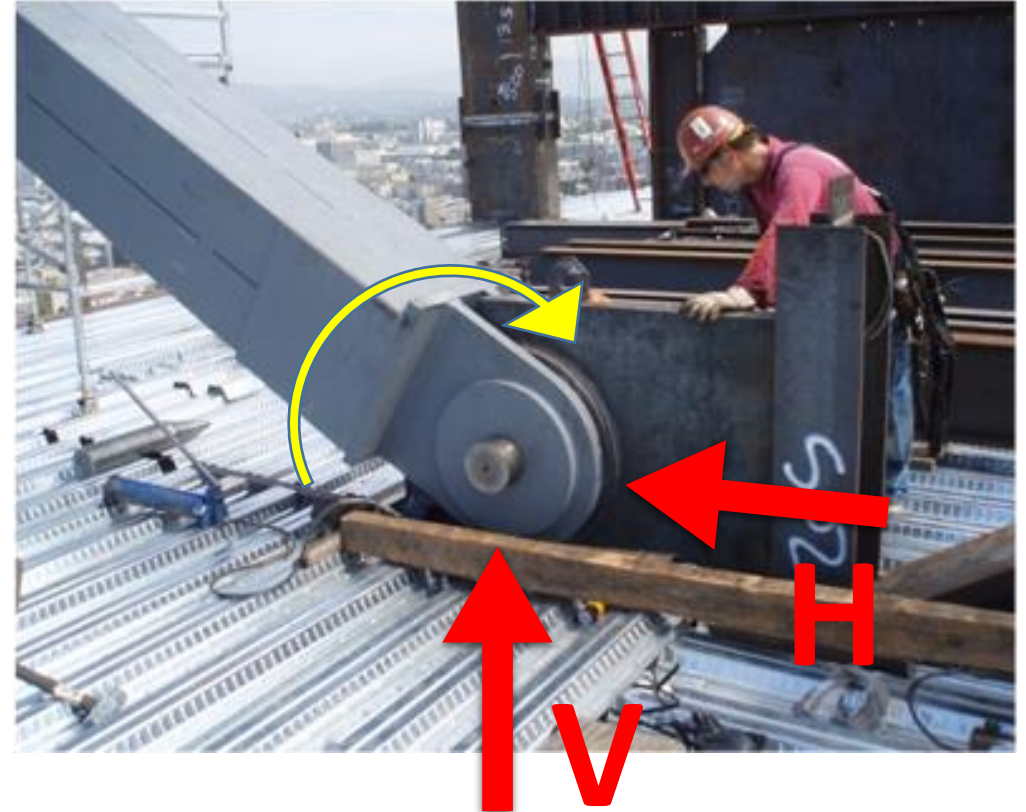
<https://www.tboake.com/SSEF1/pin.shtml>

# Articulația



[https://commons.wikimedia.org/wiki/File:Sydney Harbour Bridge abutment at The Rocks.jpg](https://commons.wikimedia.org/wiki/File:Sydney_Harbour_Bridge_abutment_at_The_Rocks.jpg)

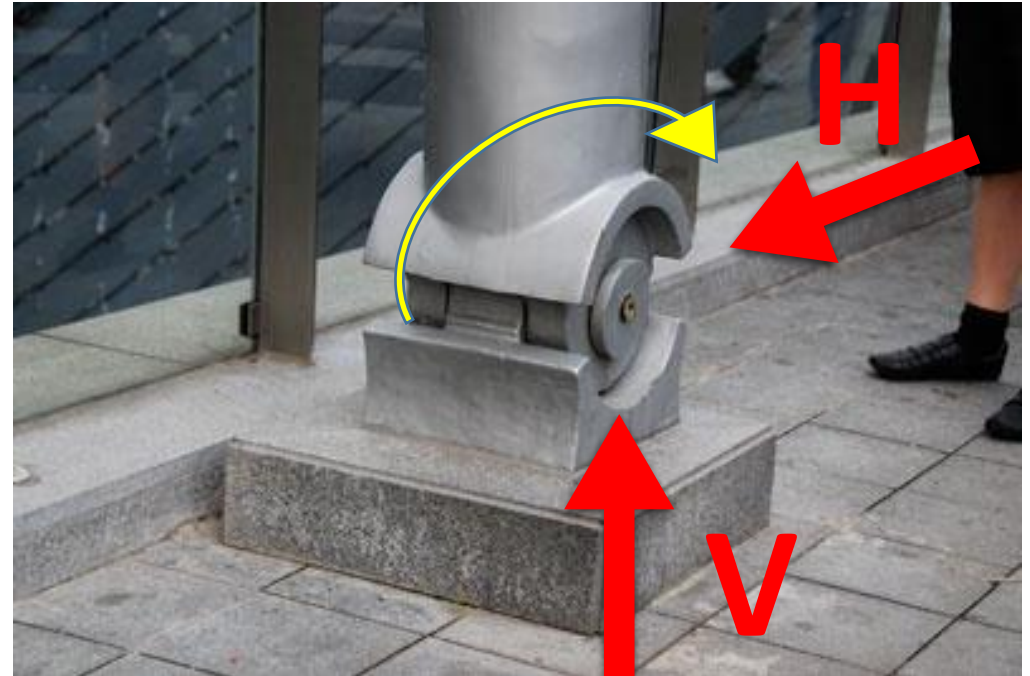
## Articulația



<https://skyciv.com/education/types-of-supports-in-structural-analysis/>

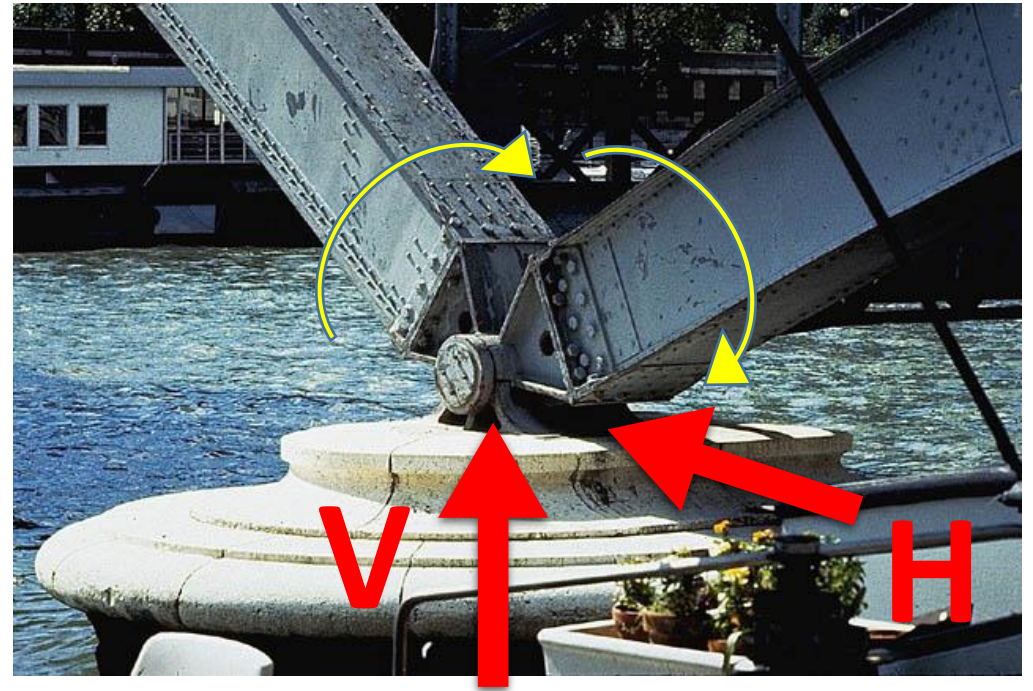


## Articulația



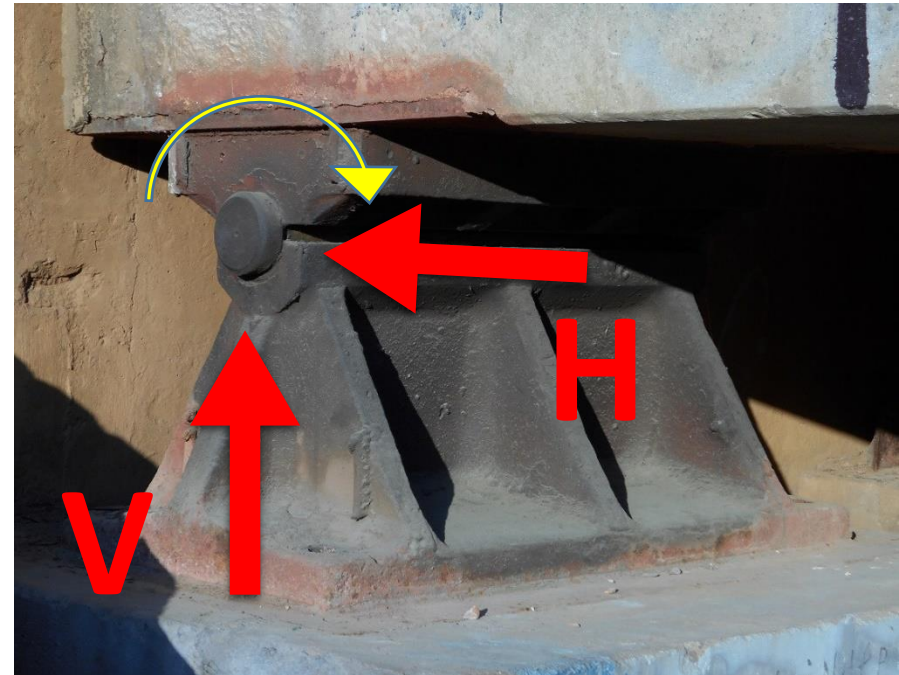
<https://www.quora.com/In-structural-engineering-terms-what-does-it-mean-when-a-hinge-is-formed>

# Articulația



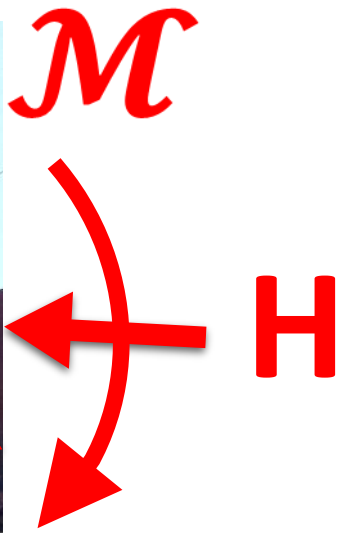
<http://www.arch.mcgill.ca/prof/sijpkcs/U2-winter-2008/presentation-turcot/arches/?C=M%3BO=A>

# Articulația



<https://engineering.stackexchange.com/questions/10224/why-would-a-bearing-plate-that-further-concentrates-load-onto-small-surface-be-u/10225>

# Încăstrarea



<https://www.smartcitiesdive.com/ex/sustainablecitiescollective/5-examples-cantilever-coolness/27906/>

## Încastrarea



<https://www.smartcitiesdive.com/ex/sustainablecitiescollective/5-examples-cantilever-coolness/27906/>

# Încadrarea



<https://www.smartcitiesdive.com/ex/sustainablecitiescollective/5-examples-cantilever-coolness/27906/>

# Încastrarea



<https://www.smartcitiesdive.com/ex/sustainablecitiescollective/5-examples-cantilever-coolness/27906/>

# Încastrarea



<https://www.smartcitiesdive.com/ex/sustainablecitiescollective/5-examples-cantilever-coolness/27906/>

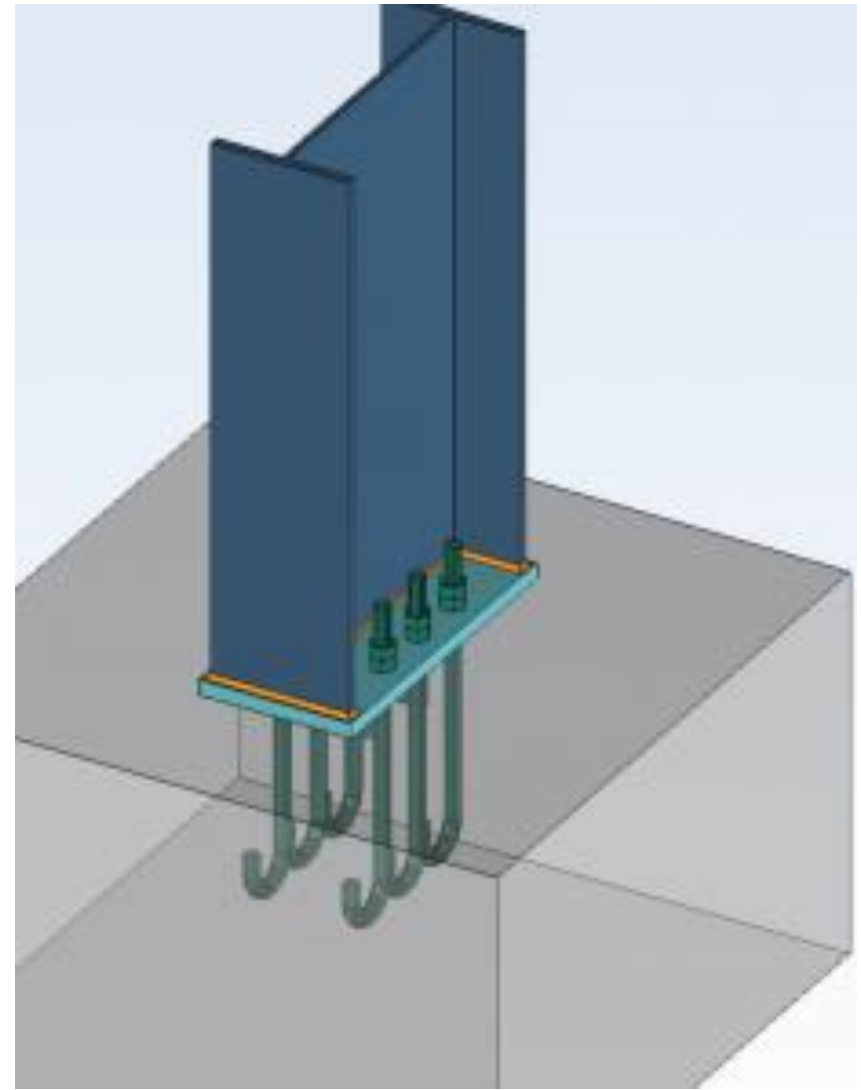
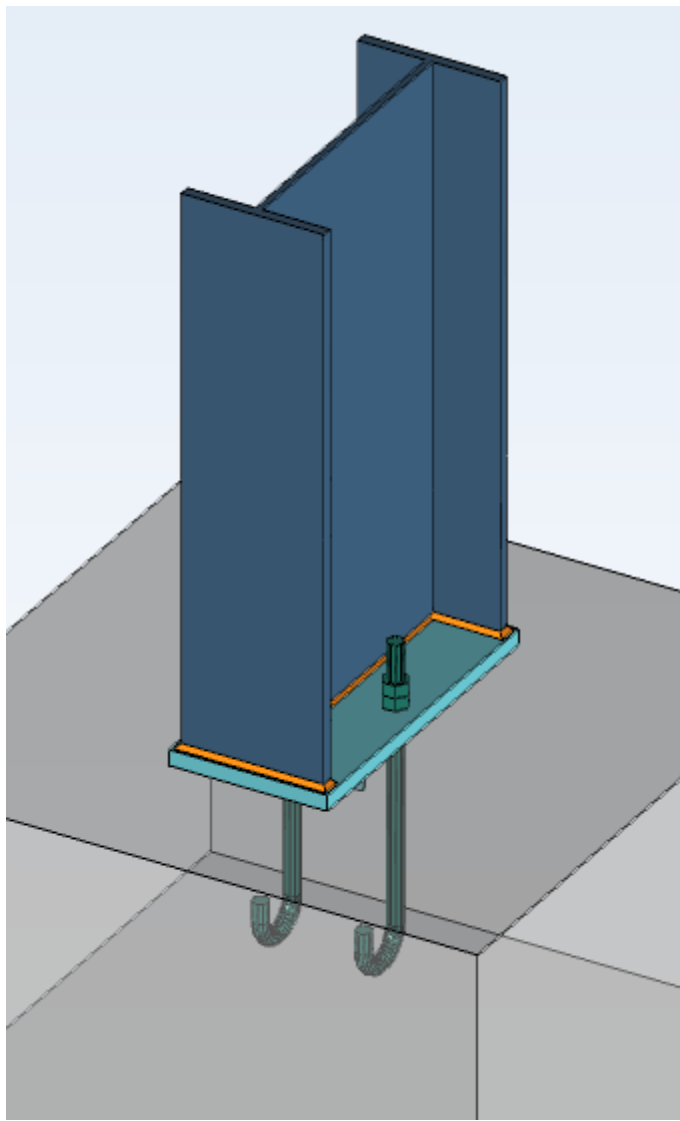


# Încastrarea



<https://www.smartcitiesdive.com/ex/sustainablecitiescollective/5-examples-cantilever-coolness/27906/>

Articulație - încastrare ?



<https://www.graitec.com/advance-bim-designers/steel-connection-designer-base-plate/>



<https://www.quora.com/What-is-the-difference-between-fixed-support-and-pinned-support>



<https://www.timbatec.com/en/holzbau/referenzen/776-Neubau-ueberdachung-Creabeton.php>

